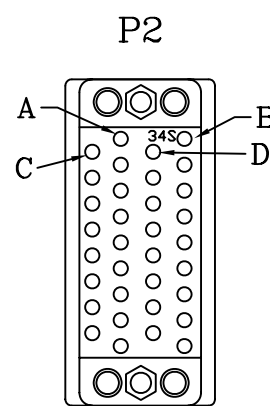
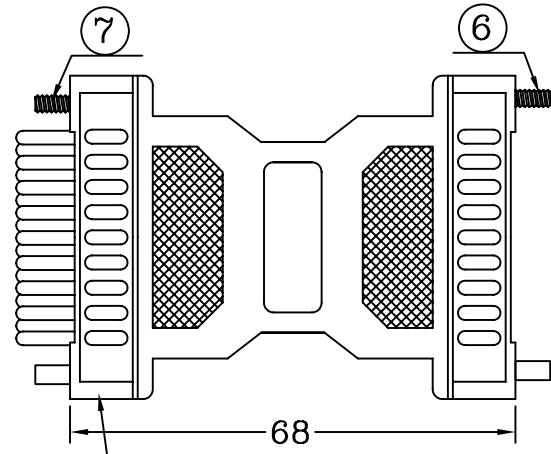
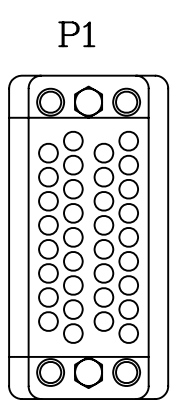


RoHS COMPLIANT

REV	DATE	DESCRIPTION
A	08/12/'08	#109-MG-000001752

KK<8>	MM<17>	LL<25>	NN<34>
EE<7>	HH<16>	FF<24>	JJ<33>
AA<6>	CC<15>	BB<23>	DD<32>
W<5>	Y<14>	X<22>	Z<31>
S<4>	U<13>	T<21>	V<30>
M<3>	P<12>	N<20>	R<29>
H<2>	K<11>	J<19>	L<28>
C<1>	E<10>	D<18>	F<27>
	A<9>	B<26>	



C (1)	A (9)	D (18)	34S B (26)
H (2)	E (10)	J (19)	F (27)
M (3)	K (11)	N (20)	L (28)
S (4)	P (12)	T (21)	R (29)
W (5)	U (13)	X (22)	V (30)
AA(6)	Y (14)	BB(23)	Z (31)
EE(7)	CC (15)	FF (24)	DD(32)
KK(8)	HH (16)	JJ (25)	JJ (33)
	MM (17)	LL (25)	NN(34)

PIN ASSIGNMENT

P1	P2	P1	P2
A	A	W	W
B	B	X	X
C	C	Y	Y
D	D	Z	Z
E	E	AA	AA
F	F	BB	BB
H	H	CC	CC
J	J	DD	DD
K	K	EE	EE
L	L	FF	FF
M	M	HH	HH
N	N	JJ	JJ
P	P	KK	KK
R	R	LL	LL
S	S	MM	MM
T	T	NN	NN
U	U	SHELL	SHELL
V	V		

* 390	CARTON:46*30*20CM	1/150	PCS	
* 390	PE BAG:30*28*0.08MM	1/150	PCS	
* 390	PE BAG:4*6*0.06MM	1	PCS	
* 390	高密度 HD-PE (MOLDING V.35 CAP 1PCS)	2.5	G	
16	TERMINAL:V.35-F(3U*)	34	PCS	
15	V.35-S-HOUSING<六角螺絲孔> (BLACK)	1	PCS	
14	220 SDL-WIRE-FULL-TIN-1.0	1.75	G	
13	240020000008 NUTS:4.75*2.0(4#-40)	4	PCS	
12	120010000031 PVC-BK10/50	26.0	G	
11	370 PE-5321	11.5	G	
10	370 FOIL-CU-38*125MM	1	PCS	
9	370 SDL-WIRE-FULL-TIN-1.2	2.0	G	
8	370 HI TEAMP TAPE: W:30MM ; L: 200MM	1	PCS	
7	240010600023 SRW-8.6*16.6*6.0-M1(6#-32)(六角型)	2	PCS	
6	240010600010 SRW-3.7*15.7*5.35-F1(6#-32)(六角型)	2	PCS	
5	240050000048 FRAME METAL<一件式鍍鎳>	1	PCS	
4	250020000073 TERMINAL:V.35-P(3U*)	34	PCS	
3	250010000247 V.35-P-HOUSING<六角螺絲孔> (BLACK)	1	PCS	
2	100500126067 JUMP WIRE-26-1007-5*60*5MM	12	PCS	
1	100500126068 JUMP WIRE-26-1007-5*50*5MM	22	PCS	
NO	PART NO.	DESCRIPTION	QTY	UNIT

UNIT : mm

FU-YAO TECHNOLOGY CO., LTD.  
復堯科技股份有限公司

MODEL NAME:  
V.35 MALE / V.35 FEMALE 34PIN ADAPTER  
MOLDED TYPE

SELECT DIM	TOL	1	2	3	EXTRA
0.000	0.05	0.10	0.20		
0.00	0.10	0.20	0.30		
0.0	0.15	0.30	0.40		
0.	0.25	0.40	0.50		
ANGLE	1.0°	3.0°	5.0°		

PART NO.	APPROVED BY:	FILE NO.FIG02014
CHECKED BY:	SCALE: FREE	
DRAW BY: LEE	DATE : 970812	

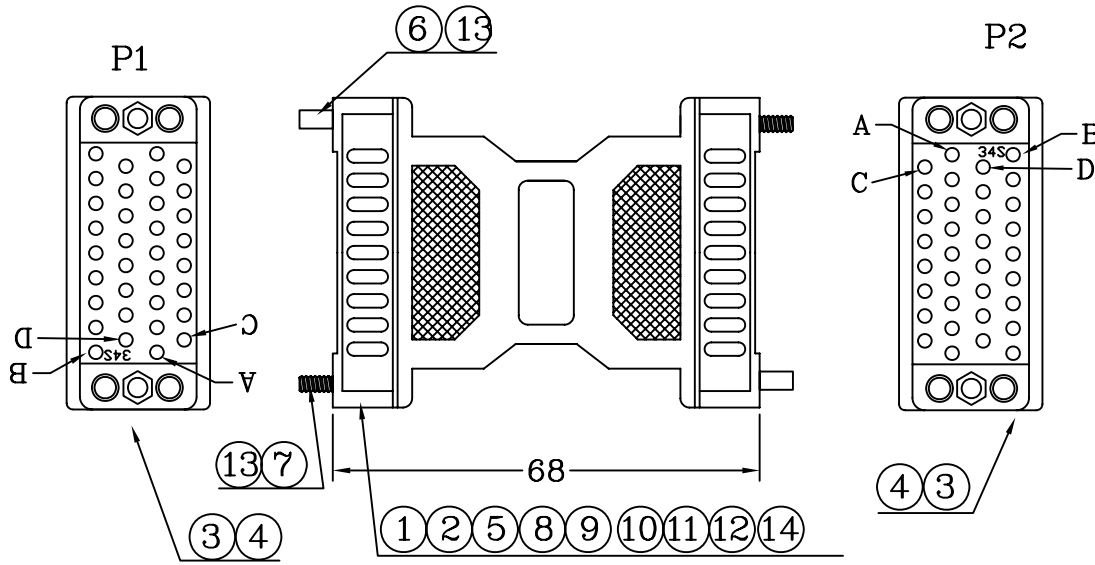
RoHS COMPLIANT

REV	DATE	DESCRIPTION
A	01/22/'13 #109	

C (1)	A (9)
H (2)	E (10)
M (3)	K (11)
S (4)	P (12)
W (5)	U (13)
AA(6)	Y (14)
EE(7)	CC(15)
KK(8)	HH(16)
MM(17)	LL(25)
NN(34)	NN(34)

C (1)	A (9)	D (18)	34S B (26)
H (2)	E (10)	J (19)	F (27)
M (3)	K (11)	N (20)	L (28)
S (4)	P (12)	T (21)	R (29)
W (5)	U (13)	X (22)	V (30)
AA(6)	Y (14)	BB(23)	Z (31)
EE(7)	CC(15)	FF(24)	DD(32)
KK(8)	HH(16)	LL(25)	JJ(33)
			NN(34)

PIN ASSIGNMENT	
P1	P2
A	A
B	B
C	C
D	D
E	E
F	F
G	G
H	H
J	J
K	K
L	L
M	M
N	N
P	P
R	R
S	S
T	T
U	U
V	V
W	W
X	X
Y	Y
Z	Z
AA	AA
BB	BB
CC	CC
DD	DD
EE	EE
FF	FF
HH	HH
JJ	JJ
KK	KK
LL	LL
MM	MM
NN	NN
SHELL	SHELL



NO	PART NO.	DESCRIPTION	QTY	UNIT
*	390	CARTON:46*30*20CM	1/150	PCS
*	390	PE BAG:30*28*0.08MM	1/150	PCS
*	390	PE BAG:4*6*0.06MM	1	PCS
14	390	SOL-WIRE-FULL-TIN-1.0	1.75	G
13	220	NUTS:4.75*2.0(4#-40)	4	PCS
12	370	PVC-BE02/50	26.0	G
11	370	PE-5321	11.5	G
10	370	FOIL-CU-50*125MM	1	PCS
9	370	SOL-WIRE-63/37-1.2	2.0	G
8	370	HI TEAMP TAPE: W:30MM, L: 200MM	1	PCS
7	370	SRW-8.6*16.6*6.0-M1(6#-32)(六角型)	2	PCS
6	370	SRW-3.7*15.7*5.35-F1(6#-32)(六角型)	2	PCS
5	370	FRAME METAL<一件式,鍍銀>	2	PCS
4	380	TERMINAL:V.35-F(3U')	68	PCS
3	210	V.35-S-HOUSING<六角螺絲孔> (BLACK)	2	PCS
2	210	JUMP WIRE-26-1007-5*60*5MM	8	PCS
1	210	JUMP WIRE-26-1007-5*50*5MM	26	PCS

FU-YAO TECHNOLOGY CO., LTD.  
復堯科技股份有限公司

MODEL NAME:  
V.35 FEMALE / V.35 FEMALE 34PIN ADAPTER  
MOLDED TYPE

MARK EXPLAIN:  
⚠:Revision Change  
①:important Dimension  
①:Note

TOLERANCE:  
0.000:  
0.00 :  
0.0 :  
0. :  
ANGLE:  
UNIT: mm

PART NO.  
APPROVED BY:  
CHECKED BY:  
DRAW BY: ALAN  
FILE NO.FIG02658  
SCALE: FREE  
DATE : 1020122